

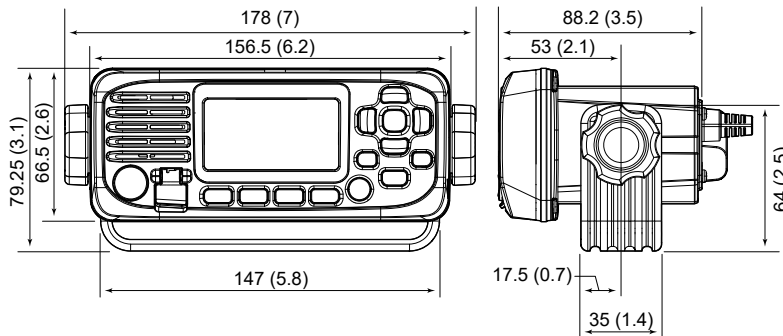
This guide shows the mounting dimensions with bracket and bracket fitting measurements for the Icom Marine Radios and the related options. Refer to the manuals supplied with your product for the installation details.

**NOTE:** The dimensions described in this guide may differ slightly from your radio. This is because the shape of projections, such as connectors, may differ, depending on the radio version.

Unit: mm (inch)

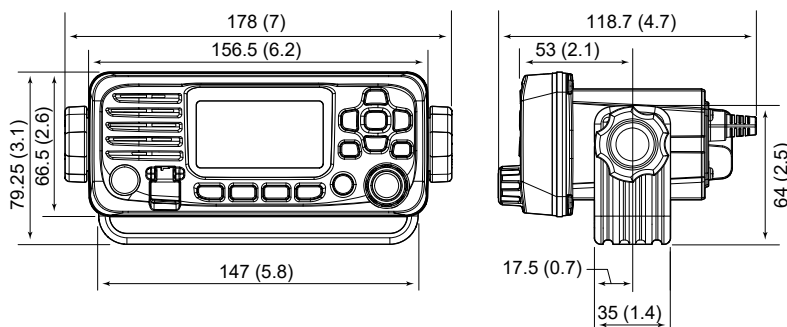
## The VHF Marine transceivers and options

### ■ IC-M220



The bracket fitting dimensions (p. 5)

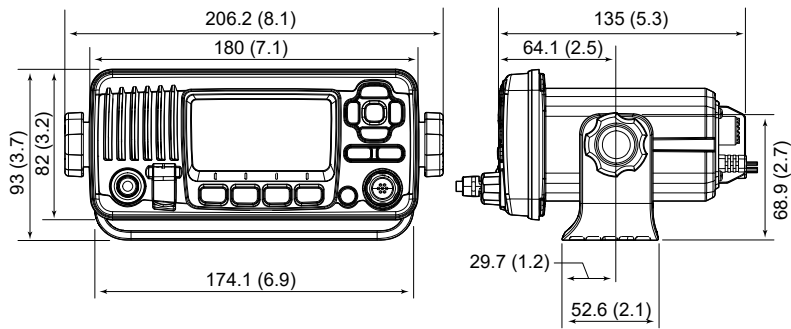
### ■ IC-M330/IC-M330G/IC-M330GE



The bracket fitting dimensions (p. 5)

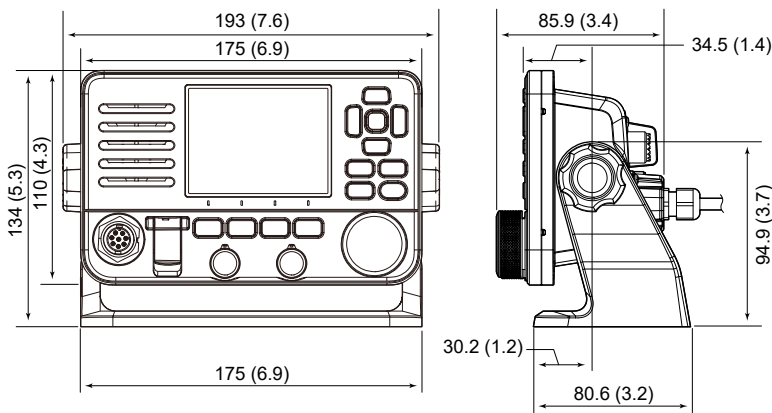
Icom and the Icom logo are registered trademarks of Icom Incorporated (Japan) in Japan, the United States, the United Kingdom, Germany, France, Spain, Russia, Australia, New Zealand, and/or other countries. All other products or brands are registered trademarks or trademarks of their respective holders.

## ■ IC-M424G/IC-M423G/IC-M423GE



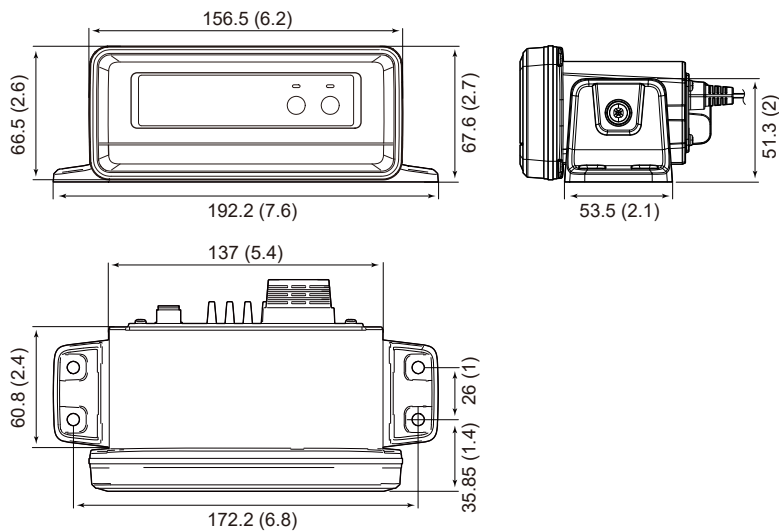
The bracket fitting dimensions (p. 6)

## ■ IC-M510/IC-M510E



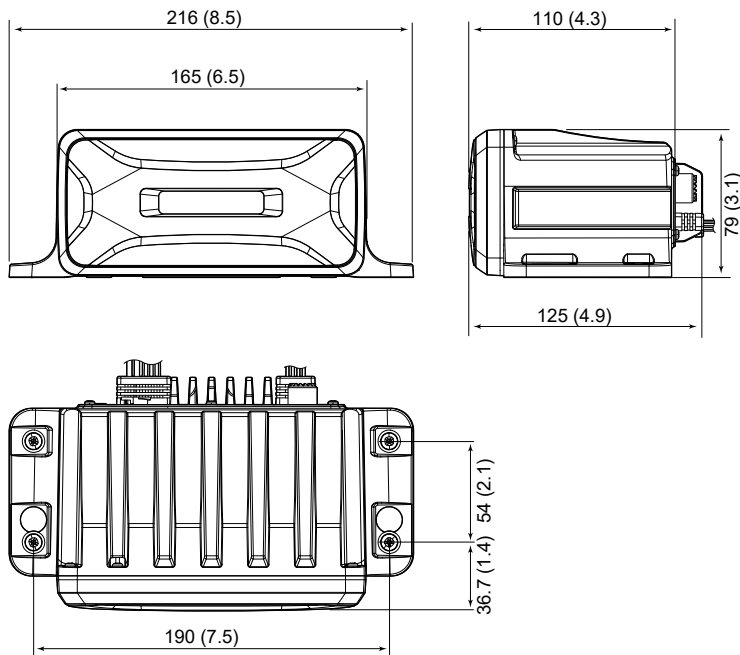
The bracket fitting dimensions (p. 7)

## ■ CT-M500



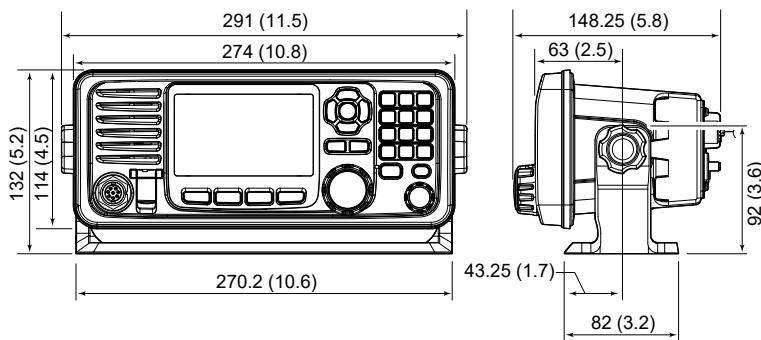
The bracket fitting dimensions (p. 8)

## ■ IC-M400BB/IC-M400BBE



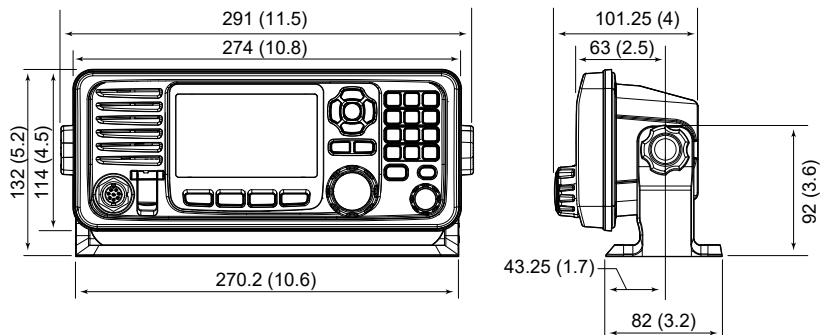
The fitting dimensions (p. 10)

## ■ IC-M605/IC-M605EURO



The bracket fitting dimensions (p. 9)

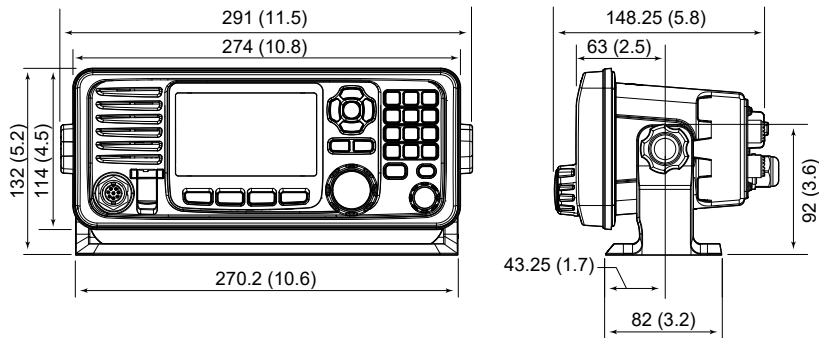
## ■ RC-M600



The bracket fitting dimensions (p. 9)

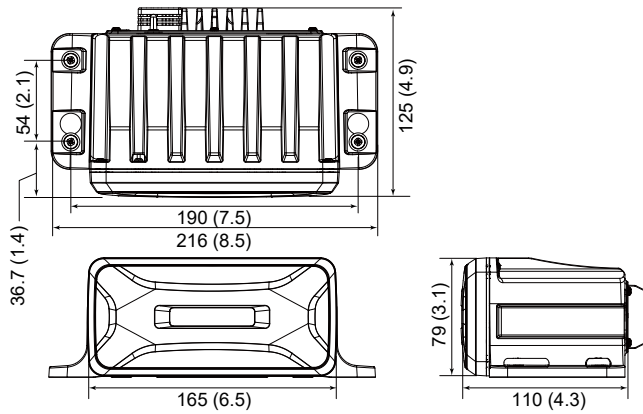
# The GMDSS Marine transceiver

## ■ GM600



The bracket fitting dimensions (p. 9)

## ■ PS-310

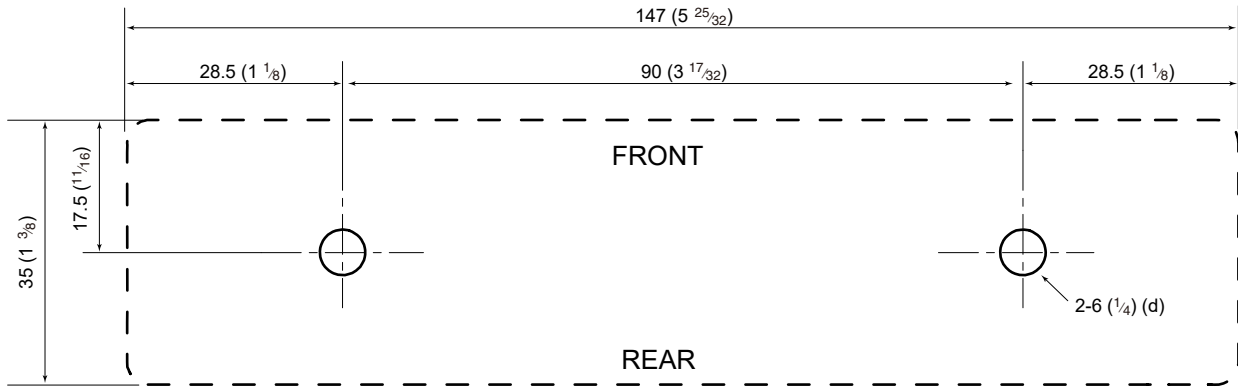


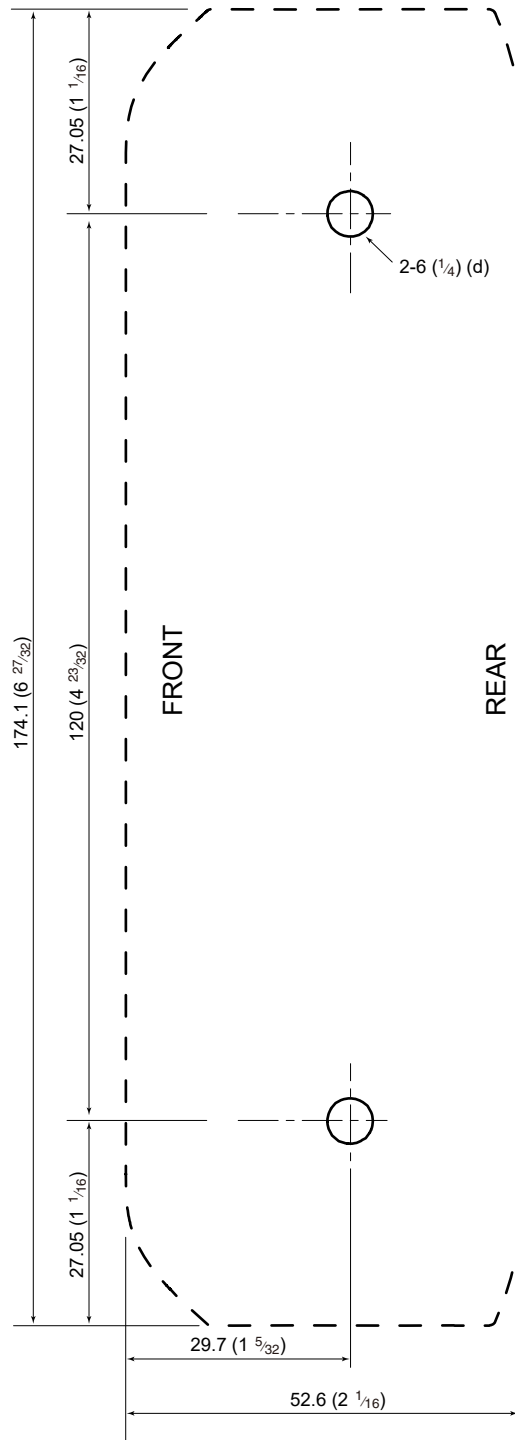
The fitting dimensions (p. 10)

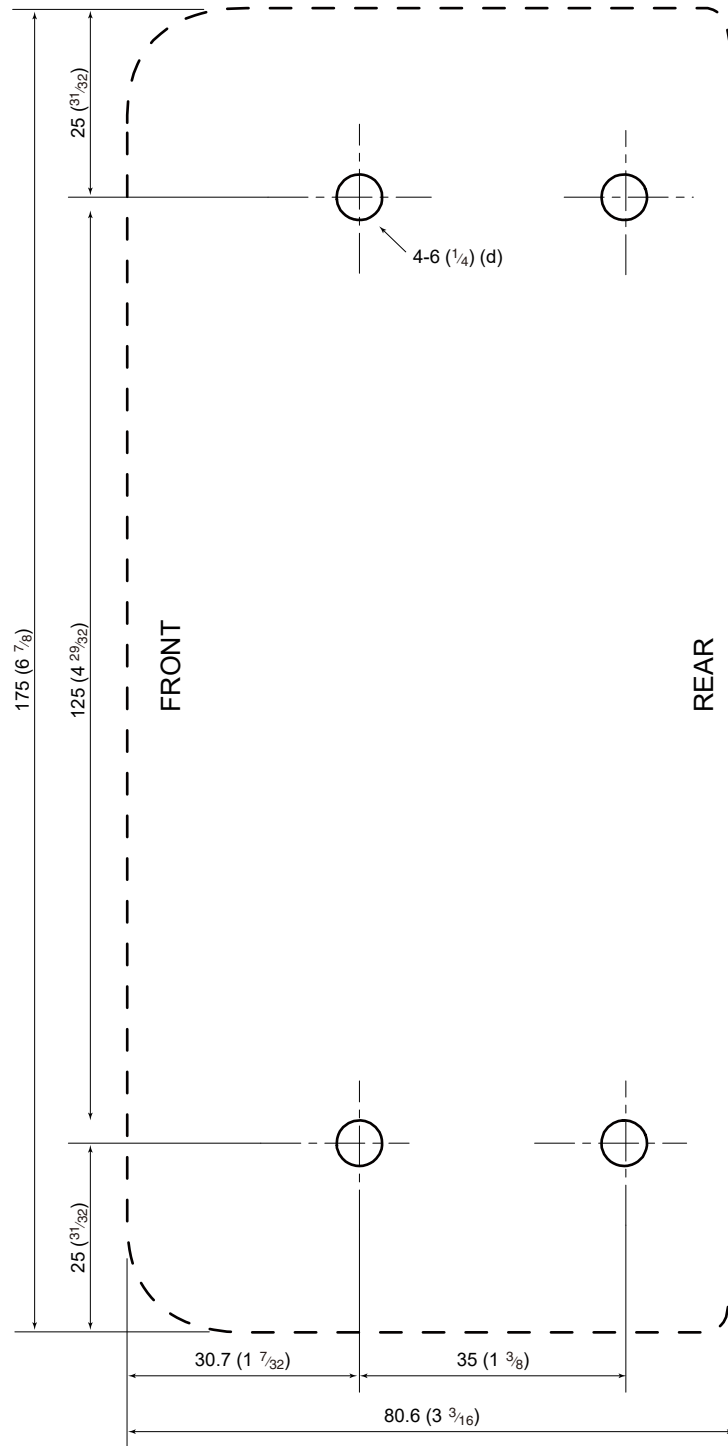


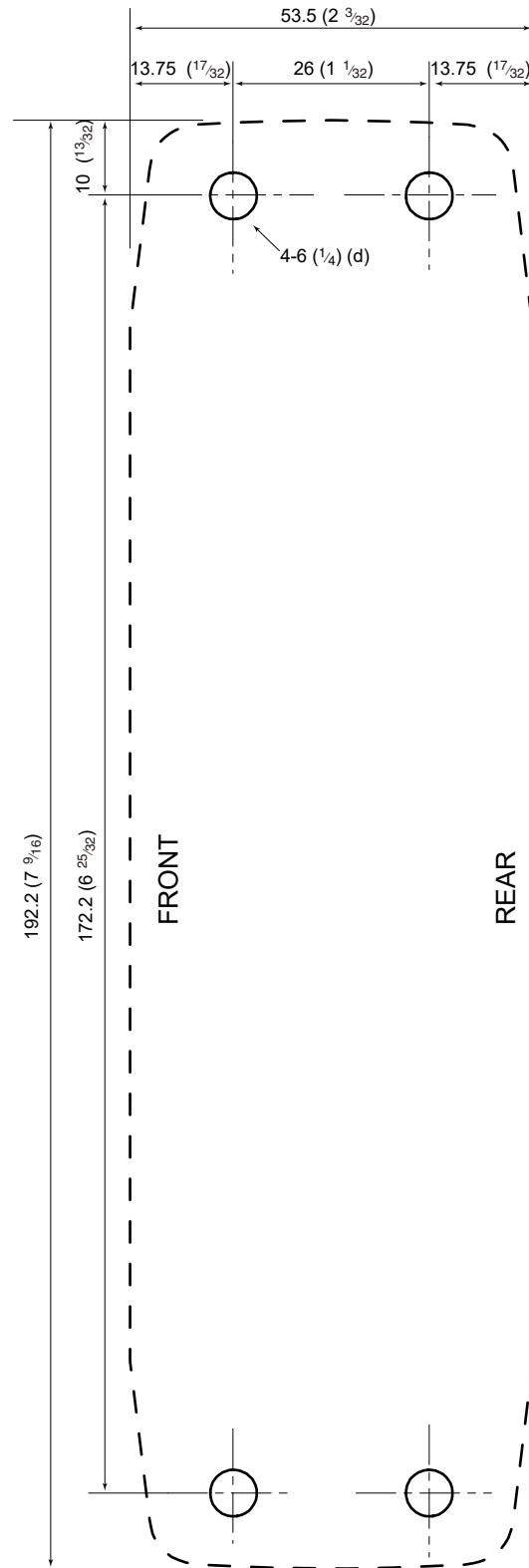
# The bracket fitting dimensions

- IC-M220
- IC-M330



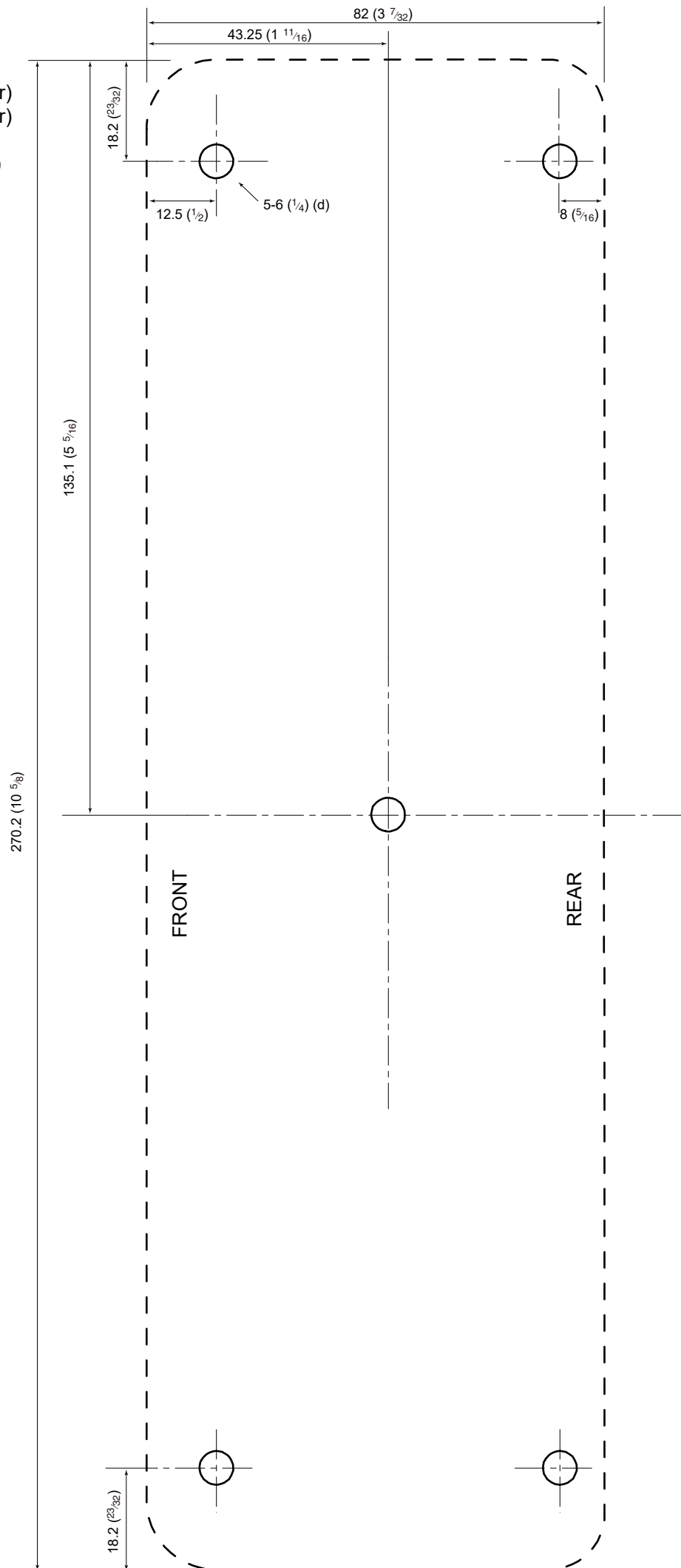








- IC-M605
- RC-M600
- IC-M803 (Remote controller)
- IC-M804 (Remote controller)
- GM600
- GM800 (Remote controller)



- IC-M400BB/IC-M400BBE
- PS-310

